

## **Features**

- Thermally broken, insulated, modular, insert ventilator
- Meets the highest performance levels of CSA Standard CAN / CSA-A440
- Rain screen element over ventilator prevents direct rain contact with the ventilator weathering
- Air movement results from natural air circulation
- Highly effective ventilator seal
- No operating hardware required
- Optional keyed lock
- Fingertip control of opening and closing
- Visually the same open or closed
- Can be installed in any Kawneer fixed frame with a depth of 4" (101.6) or more
- Factory fabricated and assembled
- Maximum Ventrow width is 5'-0" (1,524)

Laws and building and safety codes governing the design and use of glazed entrance, window, and curtain wall products vary widely. Kawneer does not control the selection of product configurations, operating hardware, or glazing materials, and assumes no responsibility therefor.

Kawneer reserves the right to change configuration without prior notice when deemed necessary for product improvement.  
© Kawneer Company, Inc., 2014

Laws and building and safety codes governing the design and use of glazed entrance, window, and curtain wall products vary widely. Kawneer does not control the selection of product configurations, operating hardware, or glazing materials, and assumes no responsibility therefor.

Kawneer reserves the right to change configuration without prior notice when deemed necessary for product improvement.  
© Kawneer Company, Inc., 2014

**FEATURES ..... 3**

**PICTORIAL VIEW ..... 4**

**CROSS SECTION..... 5**

**DETAILS ..... 6**

**AIR FLOW..... 7**

Laws and building and safety codes governing the design and use of glazed entrance, window, and curtain wall products vary widely. Kawneer does not control the selection of product configurations, operating hardware, or glazing materials, and assumes no responsibility therefor.

Kawneer reserves the right to change configuration without prior notice when deemed necessary for product improvement.  
© Kawneer Company, Inc., 2014

LAWS AND BUILDING AND SAFETY CODES GOVERNING THE DESIGN AND USE OF GLAZED ENTRANCE, WINDOW, AND CURTAIN WALL PRODUCTS VARY WIDELY. KAWNEER DOES NOT CONTROL THE SELECTION OF PRODUCT CONFIGURATIONS, OPERATING HARDWARE, OR GLAZING MATERIALS, AND ASSUMES NO RESPONSIBILITY THEREFOR.

Metric (SI) conversion figures are included throughout these details for reference. Numbers in parentheses ( ) are millimeters unless otherwise noted.

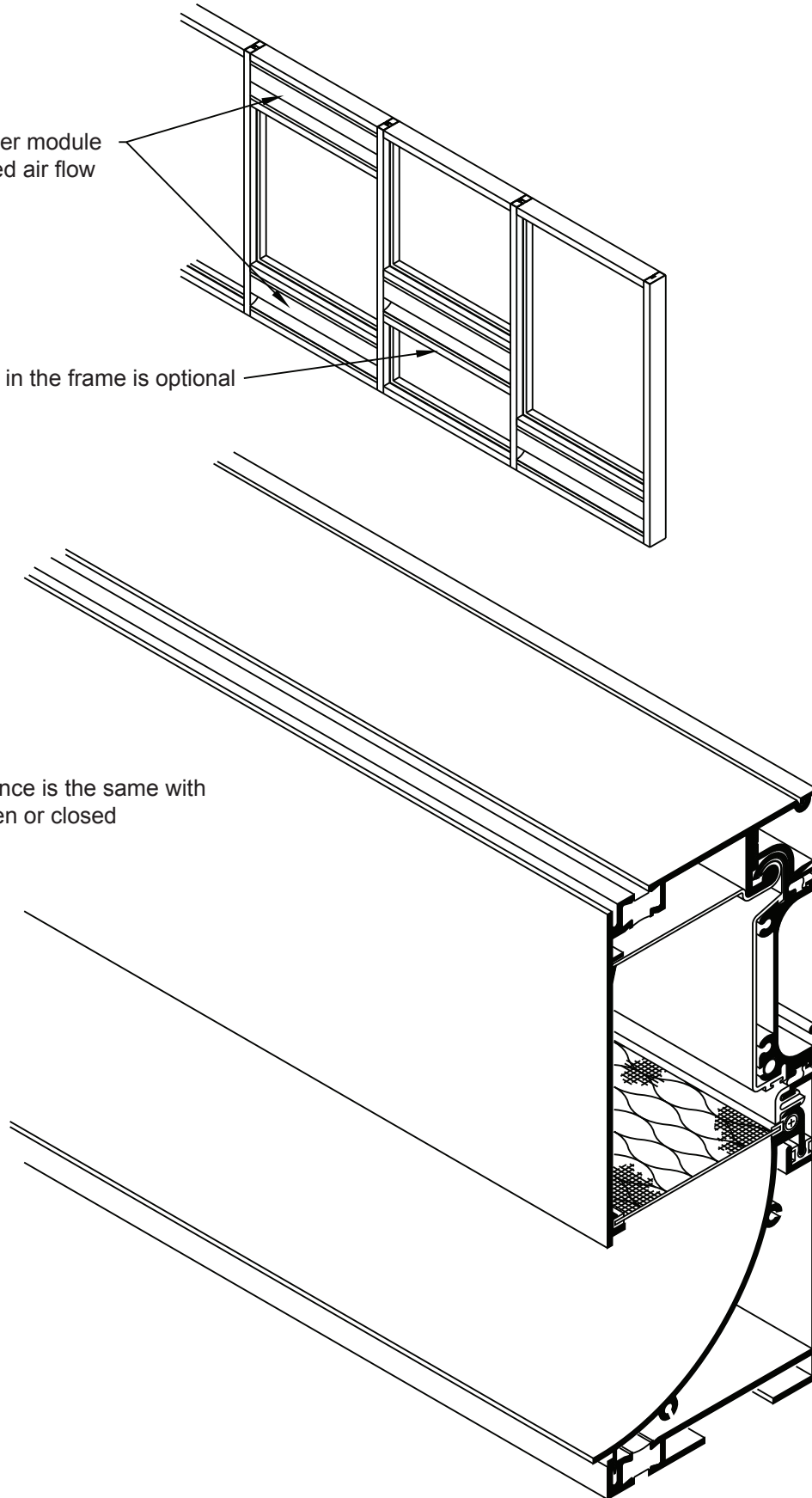
The following metric (SI ) units are found in these details:

- m – meter
- cm – centimeter
- mm – millimeter
- s – second
- Pa – pascal
- MPa – megapascal

Two units per module for increased air flow

Location in the frame is optional

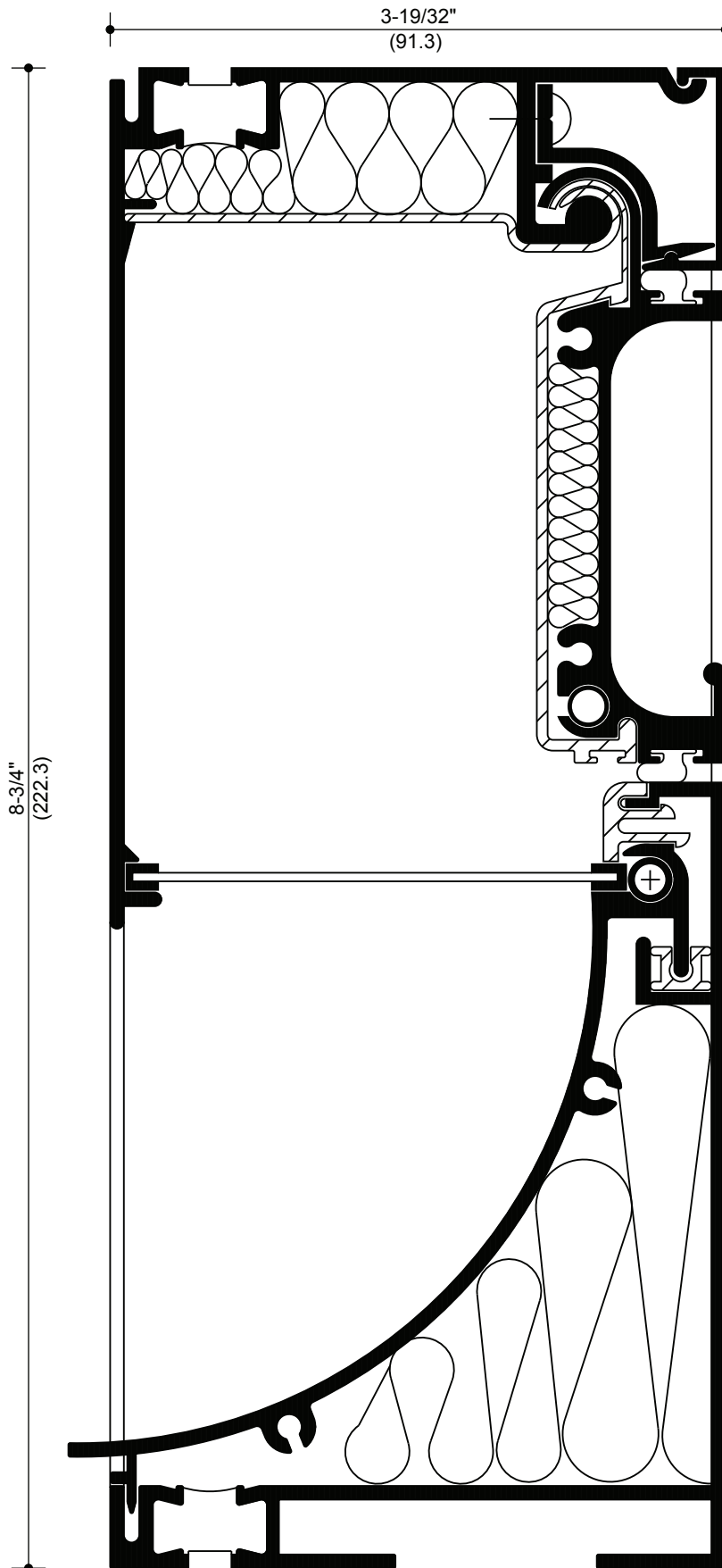
Exterior appearance is the same with the ventilator open or closed



Laws and building and safety codes governing the design and use of glazed entrance, window, and curtain wall products vary widely. Kawneer does not control the selection of product configurations, operating hardware, or glazing materials, and assumes no responsibility therefor.

Kawneer reserves the right to change configuration without prior notice when deemed necessary for product improvement.  
© Kawneer Company, Inc., 2014

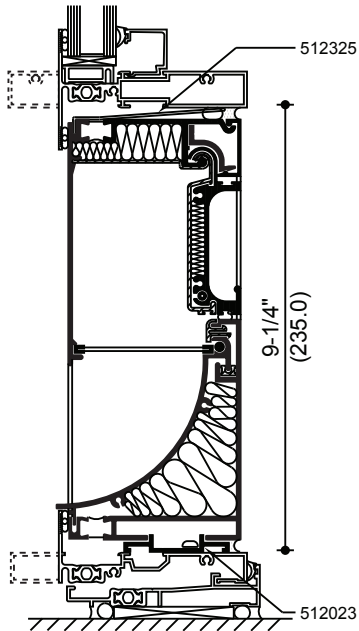
**SCALE : FULL SIZE**  
**(Nominal Dimensions Shown)**



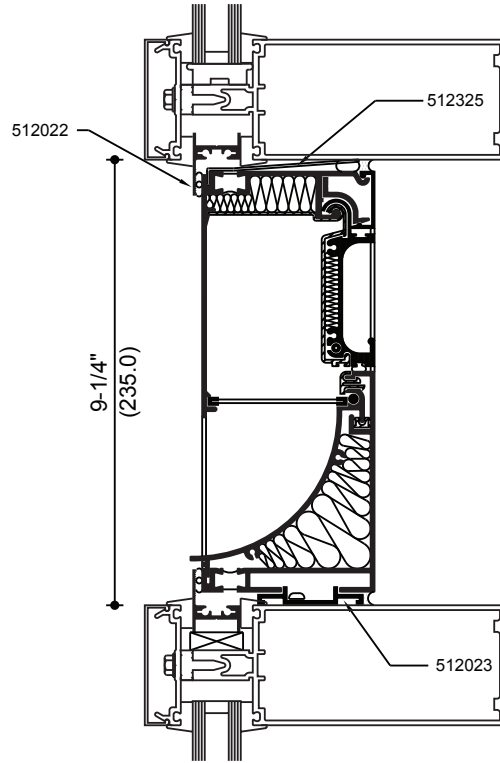
Laws and building and safety codes governing the design and use of glazed entrance, window, and curtain wall products vary widely. Kawneer does not control the selection of product configurations, operating hardware, or glazing materials, and assumes no responsibility therefor.

Kawneer reserves the right to change configuration without prior notice when deemed necessary for product improvement.  
© Kawneer Company, Inc., 2014

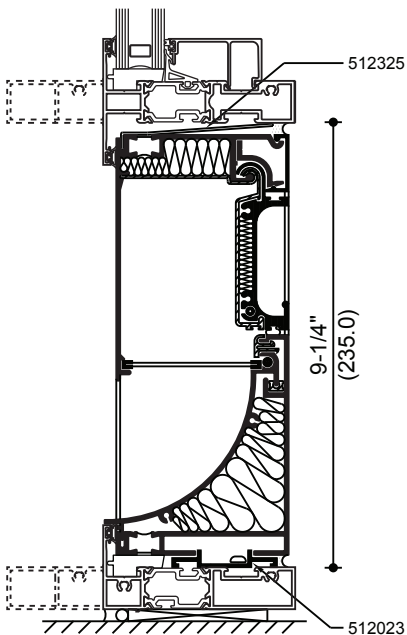
**SCALE : 3" = 1'-0"**  
(Nominal Dimensions Shown)



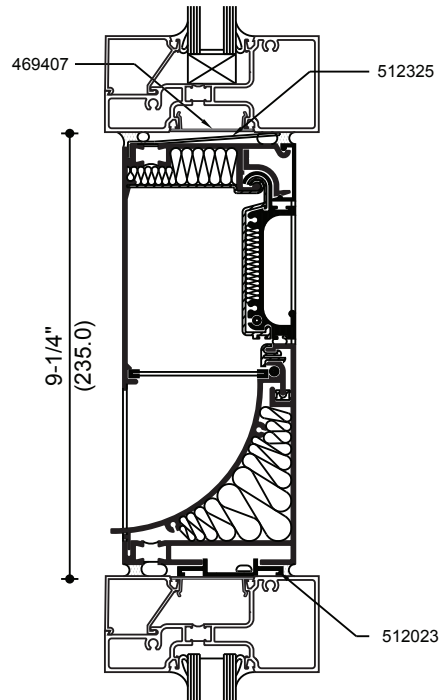
**512 VENTROW INSTALLED IN  
516 THERMAL WINDOW  
(518 SIMILAR)**



**512 VENTROW INSTALLED IN  
1600 SYSTEM™1 CURTAIN WALL**



**512 VENTROW INSTALLED IN  
AA™ 6400 THERMAL WINDOW  
(AA™ 6500 and AA™ 6600 SIMILAR)**

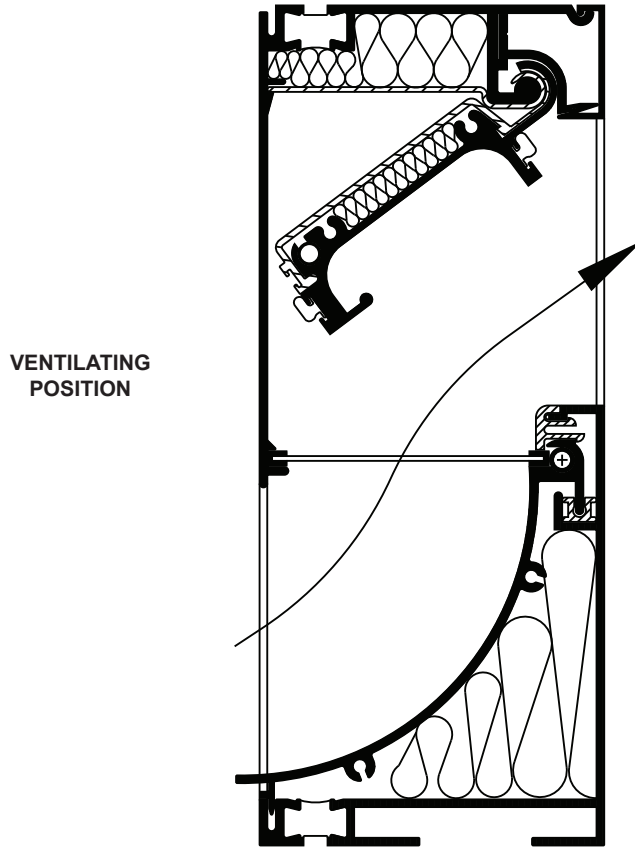


**512 VENTROW INSTALLED IN  
TRIFAB™ VG 451T FRAMING  
(450 & 451 SIMILAR)**

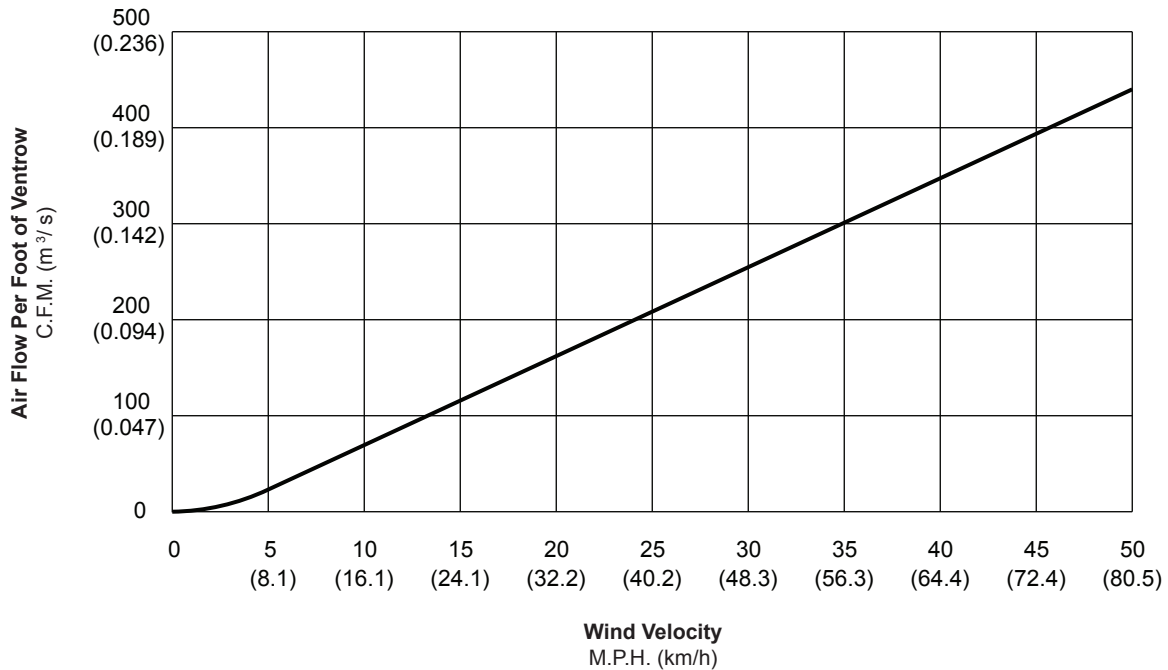
Laws and building and safety codes governing the design and use of glazed entrance, window, and curtain wall products vary widely. Kawneer does not control the selection of product configurations, operating hardware, or glazing materials, and assumes no responsibility therefor.

Kawneer reserves the right to change configuration without prior notice when deemed necessary for product improvement.  
© Kawneer Company, Inc., 2014

**SCALE : 6" = 1'-0"**  
**(Nominal Dimensions Shown)**



Note: Maximum Ventrow width is 5'-0" (1,524)



Air flow rates exceeding 15 m.p.h. were extrapolated from test results using a shape factor of 0.40.

Laws and building and safety codes governing the design and use of glazed entrance, window, and curtain wall products vary widely. Kawneer does not control the selection of product configurations, operating hardware, or glazing materials, and assumes no responsibility therefor.

Kawneer reserves the right to change configuration without prior notice when deemed necessary for product improvement.  
 © Kawneer Company, Inc., 2014

Laws and building and safety codes governing the design and use of glazed entrance, window, and curtain wall products vary widely. Kawneer does not control the selection of product configurations, operating hardware, or glazing materials, and assumes no responsibility therefor.

Kawneer reserves the right to change configuration without prior notice when deemed necessary for product improvement.  
© Kawneer Company, Inc., 2014